

## receptacle\_with\_break\_away\_locking\_for\_rear\_panel\_mounting\_with\_cable\_outlet

size\_0\_ip6k8\_ip6k9k\_coding\_c\_blue\_12\_contacts\_sockets\_solder\_cup\_data\_transmission\_usb®\_3.2\_gen\_1x1\_5\_gbits



### Basic information

Part number	G60WCM-P12WMM0-0000
Category	connector
Type of connector	receptacle
Assembly situation	rear_panel_mounting

### Contact insert description

Special features	data_transmission
Transmission type	USB® 3.2 Gen 1x1 (5 Gbit/s)
Number of contacts	12
Contact type	sockets
Contact diameter	0.3 mm; 0.7 mm
Termination type	solder_cup
Termination diameter	0.85 mm
Wire cross section AWG	AWG 28; AWG 22

### Technical information

Max. current single contact	1 A	IEC 60512-5-2:2002 (DIN EN 60512-5-2:2003)
Test voltage	0.75 kV DC	EIA-364-20F:2019-02

### Cable description

Cable outlet	overmolding
Min. cable diameter	3.2
Max. cable diameter	7

## Mechanical and environmental data

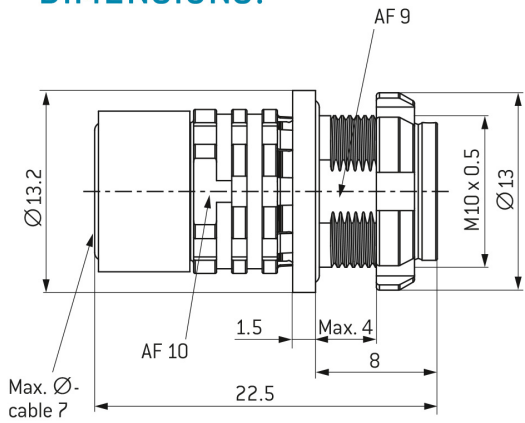
Locking principle	break_away
Keying	c
Mating cycles	5.000
IP class	IP68 / IP6K9K
Max. operating temperature	125 °C
Min. operating temperature	-51 °C
Tightening torque	1 Nm
Weight	8.21 g

ip\_protection\_class\_refers\_to\_mated\_condition

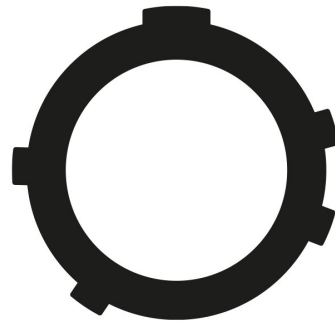
## Material and surface treatments

Material	cu_alloy_with_ruthenium_finish
Contact material	gold

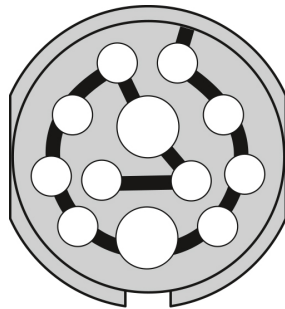
**DIMENSIONS:**



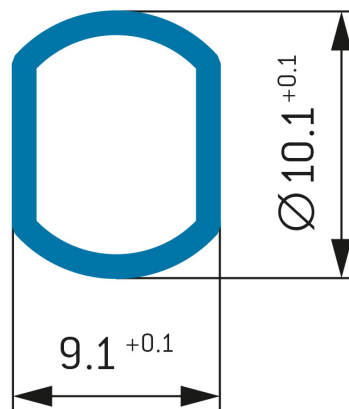
**CODING:**C



**POSITIONS:** 12 positions



**PANEL CUT OUT:**



## Further technical information and downloads

Connection diagram

connection\_diagram\_12\_pin\_usb\_3\_2\_gen1x1\_socket\_typ\_a

[3D-File \(STP File\)](#)

[Assembly Instruction](#)

[Technical specifications](#)