

receptacle_with_break_away_and_push_pull_locking_for_front_and_rear_panel_mounting_with_cable_outlet

size: 3, IP50, keying: 0, number_of_contacts: 10, solder_cup, contact_type: sockets, Signal


Basic information

| | |
|--------------------|--|
| Part number | G53LOC-P10LPH0-0000 |
| Category | connector |
| Type of connector | receptacle |
| Assembly situation | front_panel_mounting, rear_panel_mounting |
| Size | 3 |

Contact insert description

| | |
|------------------------|------------|
| Transmission type | Signal |
| Number of contacts | 10 |
| Contact type | sockets |
| Contact diameter | 1.3 mm |
| Termination type | solder_cup |
| Termination diameter | 1.1 mm |
| Wire cross section AWG | AWG 20 |

Technical information

| | | |
|--|-----------------------------|--|
| Max. current single contact | 12 A | IEC 60512-5-2:2002 (DIN EN 60512-5-2:2003) |
| Max. current insert | 6.6 | VDE 0298-4:2003 |
| Test voltage | 1.35 kV AC | SAE AS 13441:1998 method 3001.1 |
| Max. creepage distance (contact to contact) | 1.2 mm (Contact to housing) | |
| Max. creepage distance (contact to housing) | 1.4 mm (Contact to housing) | |
| Max. clearance distance (contact to contact) | 1.2 mm (Contact to contact) | |
| Max. clearance distance (contact to housing) | 1.4 mm (Contact to housing) | |

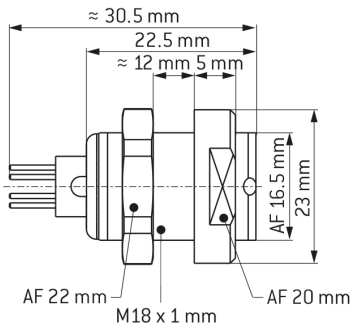
Mechanical and environmental data

| | |
|----------------------------|------------------------|
| Locking principle | break_away , push_pull |
| Mating cycles | 5.000 |
| IP class | IP50 |
| Max. operating temperature | 120 °C |
| Min. operating temperature | -40 °C |
| Tightening torque | 6 Nm |
| Weight | 30.86 g |

Material and surface treatments

| | |
|------------------|----------------------------------|
| Material | cu_alloy_with_matt_chrome_finish |
| Contact material | gold |

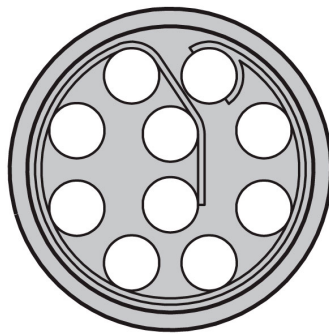
DIMENSIONS:



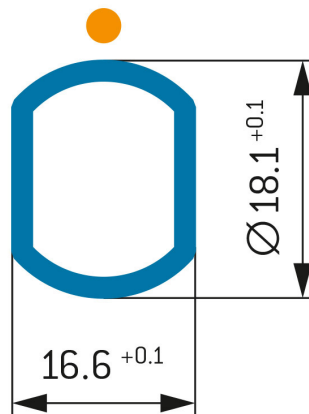
CODING: 0°



POSITIONS: 10 Positions



PANEL CUT OUT:



Further technical information and downloads

[3D-File \(STP File\)](#)

[Technical specifications](#)