

receptacle_with_break_away_and_push_pull_locking_for_front_and_rear_panel_mounting_with_cable_outlet

size: 3, IP50, keying: 0, number_of_contacts: 8, pcb, contact type: sockets, Signal


Basic information

| | |
|--------------------|--|
| Part number | G53LOC-P08QP00-0000 |
| Category | connector |
| Type of connector | receptacle |
| Assembly situation | front_panel_mounting, rear_panel_mounting |
| Size | 3 |

Contact insert description

| | |
|----------------------|---------|
| Transmission type | Signal |
| Number of contacts | 8 |
| Contact type | sockets |
| Contact diameter | 1.3 mm |
| Termination type | pcb |
| Termination diameter | 0.7 mm |

Technical information

| | | |
|--|-----------------------------|--|
| Max. current single contact | 12 A | IEC 60512-5-2:2002 (DIN EN 60512-5-2:2003) |
| Max. current insert | 7.8 | VDE 0298-4:2003 |
| Test voltage | 1.65 kV AC | SAE AS 13441:1998 method 3001.1 |
| Max. creepage distance (contact to contact) | 1.2 mm (Contact to housing) | |
| Max. creepage distance (contact to housing) | 1.4 mm (Contact to housing) | |
| Max. clearance distance (contact to contact) | 1.2 mm (Contact to contact) | |
| Max. clearance distance (contact to housing) | 1.4 mm (Contact to housing) | |

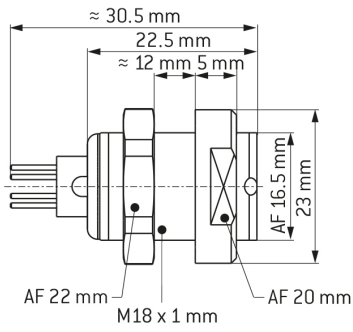
Mechanical and environmental data

| | |
|----------------------------|------------------------|
| Locking principle | break_away , push_pull |
| Mating cycles | 5.000 |
| IP class | IP50 |
| Max. operating temperature | 120 °C |
| Min. operating temperature | -40 °C |
| Tightening torque | 6 Nm |
| Weight | 29.532 g |

Material and surface treatments

| | |
|------------------|----------------------------------|
| Material | cu_alloy_with_matt_chrome_finish |
| Contact material | gold |

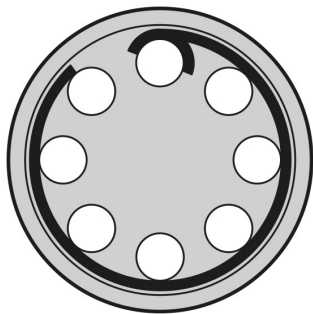
DIMENSIONS:



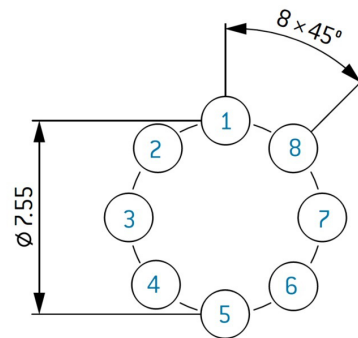
CODING: 0°



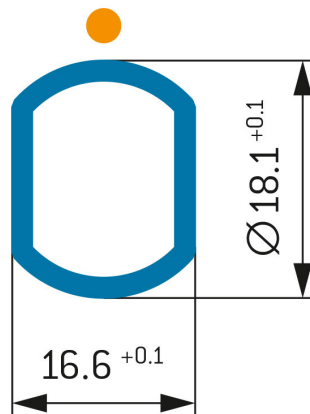
POSITIONS: 8 positions



Contact borehole: $\varnothing 0.8$ mm



PANEL CUT OUT:



Further technical information and downloads

[3D-File \(STP File\)](#)

[Technical specifications](#)