

receptacle_with_break_away_and_push_pull_locking_for_front_and_rear_panel_mounting_with_cable_outlet

size: 2, IP50, keying: a, number_of_contacts: 4, solder_cup, contact_type: sockets, Ethernet/IP® [100 Mbit/s]



Basic information

Part number	G52LAC-P04LPH0-0000
Category	connector
Type of connector	receptacle
Assembly situation	front_panel_mounting, rear_panel_mounting
Size	2

Contact insert description

Special features	data_transmission
Transmission type	Ethernet/IP® [100 Mbit/s]
Number of contacts	4
Contact type	sockets
Contact diameter	1.3 mm
Termination type	solder_cup
Termination diameter	1.1 mm
Wire cross section AWG	AWG 20

Technical information

Max. current single contact	12 A	IEC 60512-5-2:2002 [DIN EN 60512-5-2:2003]
Max. current insert	12	VDE 0298-4:2003
Test voltage	1.95 kV AC	SAE AS 13441:1998 method 3001.1
Max. creepage distance (contact to contact)	1.8 mm [Contact to housing]	
Max. creepage distance (contact to housing)	1.6 mm [Contact to housing]	
Max. clearance distance (contact to contact)	1.8 mm [Contact to contact]	
Max. clearance distance (contact to housing)	1.6 mm [Contact to housing]	

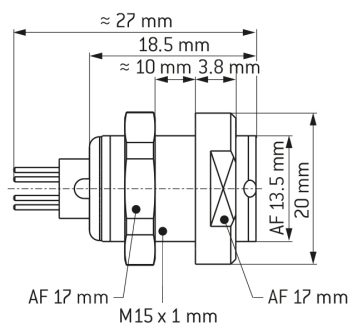
Mechanical and environmental data

Locking principle	break_away , push_pull
Keying	coding_30°
Mating cycles	5.000
IP class	IP50
Max. operating temperature	120 °C
Min. operating temperature	-40 °C
Tightening torque	4 Nm
Weight	16.56 g

Material and surface treatments

Material	cu_alloy_with_matt_chrome_finish
Contact material	gold

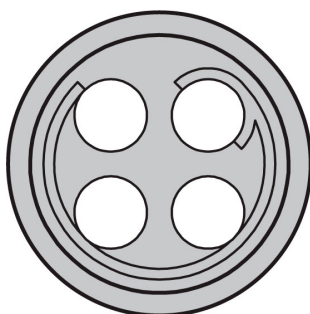
DIMENSIONS:



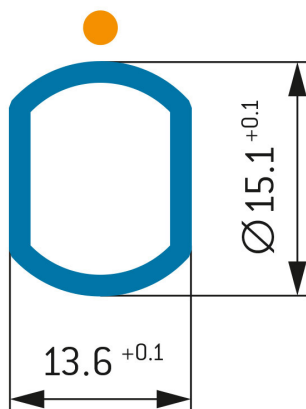
CODING: 30°



POSITIONS: 4 Positions



PANEL CUT OUT:



Further technical information and downloads

Connection diagram

connection_diagram_4_pin_ethernet_100Mbps_rj45

[3D-File \(STP File\)](#)

[Technical specifications](#)