

**receptacle\_with\_break\_away\_and\_push\_pull\_locking\_for\_front\_and\_rear\_panel\_mounting\_with\_cable\_outlet**

size: 2, IP50, keying: 0, number\_of\_contacts: 4, solder\_cup, contact\_type: pins, Ethernet/IP® (100 Mbit/s)


**Basic information**

<b>Part number</b>	G52LOC-P04MPHO-0000
<b>Category</b>	connector
<b>Type of connector</b>	receptacle
<b>Assembly situation</b>	front_panel_mounting, rear_panel_mounting
<b>Size</b>	2

**Contact insert description**

<b>Special features</b>	data_transmission
<b>Transmission type</b>	Ethernet/IP® (100 Mbit/s)
<b>Number of contacts</b>	4
<b>Contact type</b>	pins
<b>Contact diameter</b>	1.3 mm
<b>Termination type</b>	solder_cup
<b>Termination diameter</b>	1.1 mm
<b>Wire cross section AWG</b>	AWG 20

**Technical information**

<b>Nominal current single contact</b>	12 A	IEC 60512-5-2:2002 (DIN EN 60512-5-2:2003)
<b>Max. current insert</b>	12	VDE 0298-4:2003
<b>Test voltage</b>	1.95 kV AC	SAE AS 13441:1998 method 3001.1
<b>Max. creepage distance (contact to contact)</b>	1.8 mm (Contact to housing)	
<b>Max. creepage distance (contact to housing)</b>	1.6 mm (Contact to housing)	
<b>Max. clearance distance (contact to contact)</b>	1.8 mm (Contact to contact)	
<b>Max. clearance distance (contact to housing)</b>	1.6 mm (Contact to housing)	

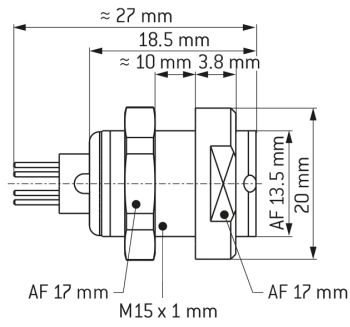
## Mechanical and environmental data

Locking principle	break_away , push_pull
Mating cycles	5.000
IP class	IP50
Max. operating temperature	120 °C
Min. operating temperature	-40 °C
Tightening torque	4 Nm
Weight	15.65 g

## Material and surface treatments

Material	cu_alloy_with_matt_chrome_finish
Contact material	gold

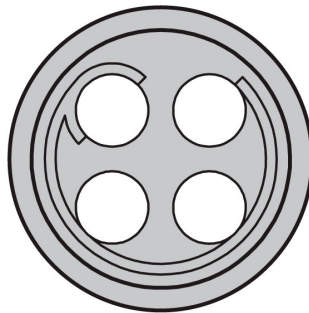
**DIMENSIONS:**



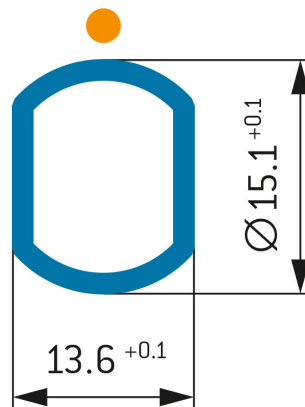
**CODING: 0°**



**POSITIONS: 4 Positions**



**PANEL CUT OUT:**



## Further technical information and downloads

Connection diagram

connection\_diagram\_4\_pin\_ethernet\_100Mbps\_rj45

[3D-File \(STP File\)](#)

[Technical specifications](#)