

## receptacle\_with\_break\_away\_and\_push\_pull\_locking\_for\_front\_or\_rear\_panel\_mounting

size: 1, IP50, keying: c, number\_of\_contacts: 4, pcb\_angled, contact\_type: sockets, Signal



### Basic information

|                    |  |
|--------------------|--|
| Part number        | G51MC7-P04QJ00-A080                          |
| Category           | connector                                    |
| Type of connector  | receptacle                                   |
| Assembly situation | front_panel_mounting,<br>rear_panel_mounting |
| Size               | 1  |

### Contact insert description

|                      |                             |
|----------------------|-----------------------------|
| Special features     | iec_60601_1_1_mopp_&_2_moop |
| Transmission type    | Signal                      |
| Number of contacts   | 4                           |
| Contact type         | sockets                     |
| Contact diameter     | 0.9 mm                      |
| Termination type     | pcb                         |
| Termination diameter | 0.6 mm                      |

### Technical information

|  |                             |  |
|--|-----------------------------|--|
| Nominal current single contact               | 7.5 A                       | IEC 60512-5-2:2002 (DIN EN 60512-5-2:2003) |
| Max. current insert                          | 7.5                         | VDE 0298-4:2003                            |
| Test voltage                                 | 1.3 kV AC                   | EIA-364-20F:2019-02                        |
| Max. creepage distance (contact to contact)  | 1.2 mm (Contact to housing) |  |
| Max. creepage distance (contact to housing)  | IEC 60601-1: 1MOPP. 2MOPP*  |  |
| Max. clearance distance (contact to contact) | 1.2 mm (Contact to contact) |  |
| Max. clearance distance (contact to housing) | IEC 60601-1: 1MOPP. 2MOPP*  |  |

## Mechanical and environmental data

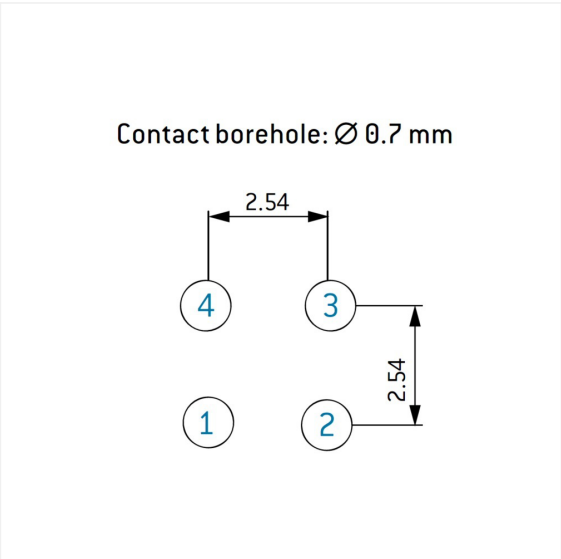
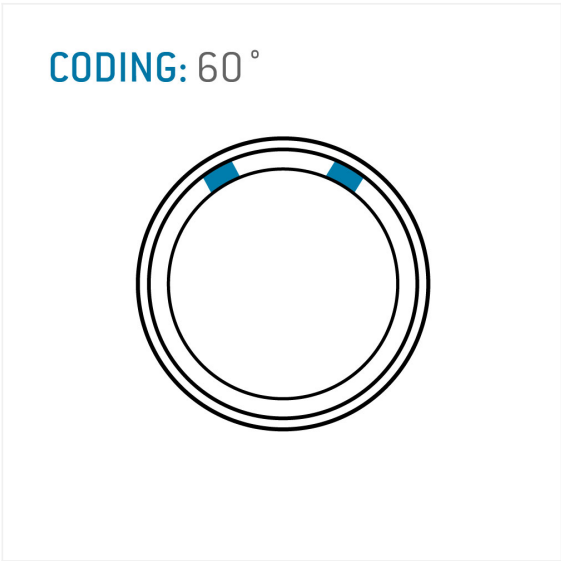
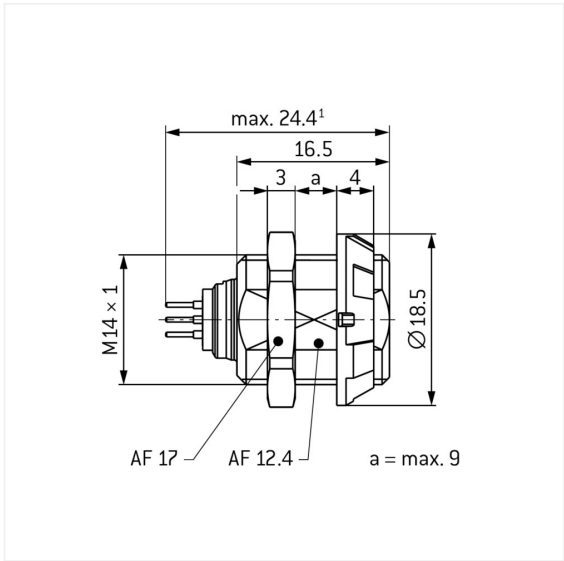
|                            |                        |
|----------------------------|------------------------|
| Locking principle          | break_away , push_pull |
| Keying                     | coding_60°             |
| Mating cycles              | 5.000                  |
| IP class                   | IP50                   |
| Max. operating temperature | 120 °C                 |
| Min. operating temperature | -50 °C                 |
| Weight                     | 5.63 g                 |

## Material and surface treatments

|                                  |          |
|----------------------------------|----------|
| Material                         | psu_gray |
| Contact material                 | gold     |
| Color option (Front or back nut) | black    |

## Insulator materials MEDI-SNAP®

psu\_peek\_o\_a



## Further technical information and downloads

[3D-File \(STP File\)](#)