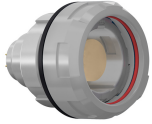


receptacle_with_break_away_and_push_pull_locking_for_front_panel_mounting

size: 2, IP64, keying: c, number_of_contacts: 3, solder_cup, contact_type: sockets



Basic information

Part number	G42MC7-P03LTS0-0071
Category	connector
Type of connector	receptacle
Assembly situation	front_panel_mounting
Size	2

Contact insert description

Special features	high_voltage , iec_60601_1_2_mopp_&_2_moop
Number of contacts	3
Contact type	sockets
Contact diameter	2 mm
Termination type	solder_cup
Termination diameter	2.4 mm
Wire cross section AWG	AWG 14

Technical information

Nominal current single contact	22 A	IEC 60512-5-2:2002 (DIN EN 60512-5-2:2003)
Max. current insert	22 A	VDE 0298-4:2003
Test voltage	mated: 3.5 kV AC; unmated 2.1 kV AC	EIA-364-20F:2019-02
Max. creepage distance (contact to contact)	mated: 4.7 mm; unmated: 2.0 mm [Contact to contact]	
Max. creepage distance (contact to housing)	IEC 60601-1: 2MOPP. 2MOOP*	
Max. clearance distance (contact to contact)	mated: 4.7 mm; unmated: 2.0 mm [Contact to contact]	
Max. clearance distance (contact to housing)	IEC 60601-1: 2MOPP. 2MOOP*	

safety_text_hv

Mechanical and environmental data

Locking principle	break_away , push_pull
Keying	coding_60°
Mating cycles	5000
IP class	IP64
Max. operating temperature	120 °C
Min. operating temperature	50 °C
Weight	8.15 g

ip_protection_class_refers_to_mated_condition

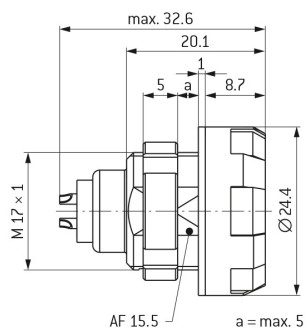
Material and surface treatments

Material	psu_gray
Contact material	cu_alloy_with_gold_finish
Color option (Front or back nut)	gray

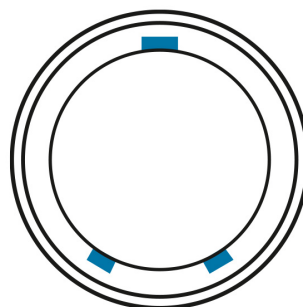
Insulator materials MEDI-SNAP®

psu_peek_o_a

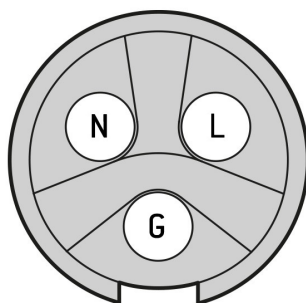
DIMENSIONS:



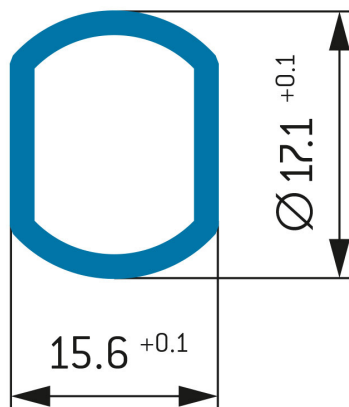
CODING: 60°



POSITIONS: 3 positions



PANEL CUT OUT:



Further technical information and downloads

[3D-File \(STP File\)](#)