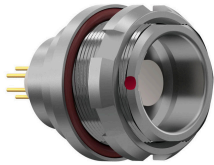


## receptacle\_with\_break\_away\_and\_push\_pull\_locking\_for\_rear\_panel\_mounting

size: 2, IP68, keying: 0, number\_of\_contacts: 8, solder\_cup, contact\_type: sockets, Ethernet/IP® (10 Gbit/s)



### Basic information

Part number	G32K0C-PD8LJG0-0000
Category	connector
Type of connector	receptacle
Assembly situation	rear_panel_mounting
Size	2

### Contact insert description

Special features	data_transmission
Transmission type	Ethernet/IP® (10 Gbit/s)
Number of contacts	8
Contact type	sockets
Contact diameter	0.9 mm
Termination type	solder_cup
Termination diameter	0.85 mm
Wire cross section AWG	AWG 22

### Technical information

Nominal current single contact	7.5 A	IEC 60512-5-2:2002 (DIN EN 60512-5-2:2003)
Max. current insert	4.875	VDE 0298-4:2003
Test voltage	1.350 V	SAE AS 13441:1998 method 3001.1
Max. creepage distance (contact to contact)	1.2 mm (Contact to housing)	
Max. creepage distance (contact to housing)	0.8 mm (Contact to housing)	
Max. clearance distance (contact to contact)	1.2 mm (Contact to contact)	
Max. clearance distance (contact to housing)	0.8 mm (Contact to housing)	

## Mechanical and environmental data

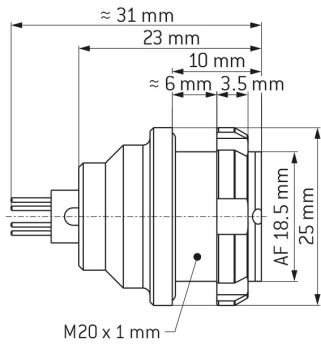
<b>Locking principle</b>	break_away , push_pull
<b>Mating cycles</b>	5.000
<b>IP class</b>	IP68
<b>Max. operating temperature</b>	120 °C
<b>Min. operating temperature</b>	-40 °C
<b>Tightening torque</b>	6.5 Nm
<b>Weight</b>	34.74 g

ip\_protection\_class\_refers\_to\_mated\_condition

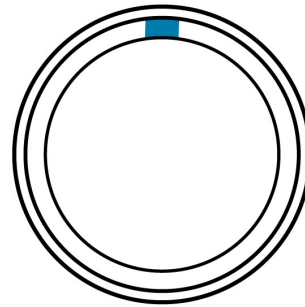
## Material and surface treatments

<b>Material</b>	cu_alloy_with_matt_chrome_finish
<b>Contact material</b>	cu_alloy_with_gold_finish

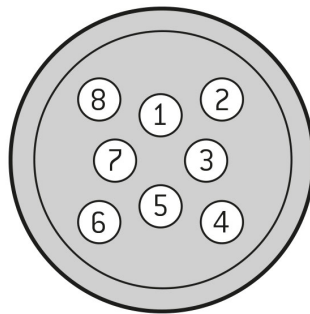
**DIMENSIONS:**



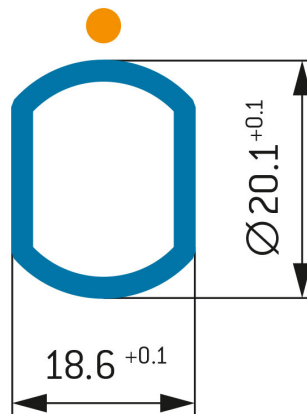
**CODING: 0°**



**POSITIONS: 8 positions**



**PANEL CUT OUT:**



## Further technical information and downloads

Connection diagram

connection\_diagram\_8\_pin\_ethernet\_1gbs\_10gbs\_rj45

[3D-File \(STP File\)](#)

[Technical specifications](#)