

G32K0C-P19NFG0-0000

odu\_mini\_snap®\_series\_k



## receptacle\_with\_break\_away\_and\_push\_pull\_locking\_for\_rear\_panel\_mounting

size: 2, IP68, keying: 0, number\_of\_contacts: 19, crimp, contact\_type: sockets, Signal



### Basic information

Part number	G32K0C-P19NFG0-0000
Category	connector
Type of connector	receptacle
Assembly situation	rear_panel_mounting
Size	2

### Contact insert description

Transmission type	Signal
Number of contacts	19
Contact type	sockets
Contact diameter	0.7 mm
Termination type	crimp
Wire cross section AWG	AWG 22 – 26

### Crimp contacts

Please refer to the installed contacts for the correct crimp settings and the tools to be used.

[175.514.000.207.000](tel:175.514.000.207.000)

### Technical information

Nominal current single contact	7.5 A	IEC 60512-5-2:2002 (DIN EN 60512-5-2:2003)
Max. current insert	3.375	VDE 0298-4:2003
Test voltage	0.9 kV AC	SAE AS 13441:1998 method 3001.1
Max. creepage distance (contact to contact)	0.5 mm (Contact to housing)	
Max. creepage distance (contact to housing)	0.7 mm (Contact to housing)	
Max. clearance distance (contact to contact)	0.5 mm (Contact to contact)	
Max. clearance distance (contact to housing)	0.7 mm (Contact to housing)	

## Mechanical and environmental data

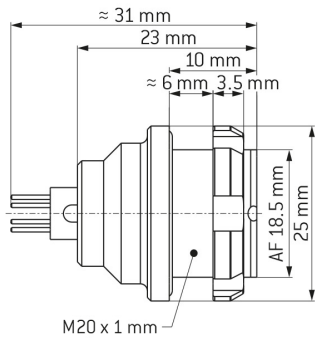
<b>Locking principle</b>	break_away , push_pull
<b>Mating cycles</b>	5.000
<b>IP class</b>	IP68
<b>Max. operating temperature</b>	120 °C
<b>Min. operating temperature</b>	-40 °C
<b>Tightening torque</b>	6.5 Nm
<b>Weight</b>	31.47 g

ip\_protection\_class\_refers\_to\_mated\_condition

## Material and surface treatments

<b>Material</b>	cu_alloy_with_matt_chrome_finish
<b>Contact material</b>	cu_alloy_with_gold_finish

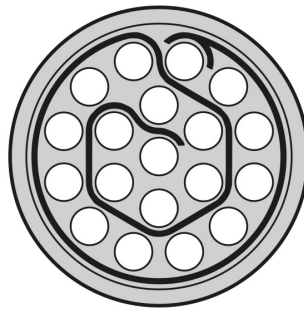
**DIMENSIONS:**



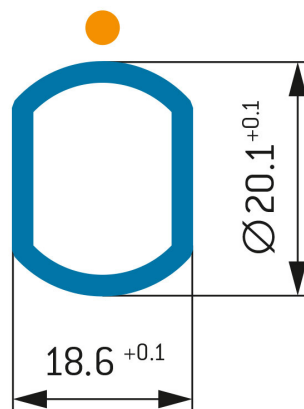
**CODING: 0°**



**POSITIONS: 19 positions**



**PANEL CUT OUT:**



## Further technical information and downloads

[3D-File \(STP File\)](#)

[Technical specifications](#)