

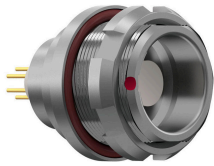
G30K0C-P03PJG0-0000

odu_mini_snap®_series_k



receptacle_with_break_away_and_push_pull_locking_for_rear_panel_mounting

size: 0, IP68, keying: 0, number_of_contacts: 3, crimp, contact_type: pins, Signal



Basic information

Part number	G30K0C-P03PJG0-0000
Category	connector
Type of connector	receptacle
Assembly situation	rear_panel_mounting

Contact insert description

Transmission type	Signal
Number of contacts	3
Contact type	pins
Contact diameter	0.9 mm
Termination type	crimp
Wire cross section AWG	AWG 22 – 26

Crimp contacts

Please refer to the installed contacts for the correct crimp settings and the tools to be used.

[185.540.000.207.000](https://www.odu.com/185.540.000.207.000)

Technical information

Nominal current single contact	7.5 A	IEC 60512-5-2:2002 (DIN EN 60512-5-2:2003)
Max. current insert	7.5	VDE 0298-4:2003
Test voltage	1.2 kV AC	SAE AS 13441:1998 method 3001.1
Max. creepage distance (contact to contact)	0.8 mm (Contact to housing)	
Max. creepage distance (contact to housing)	0.8 mm (Contact to housing)	
Max. clearance distance (contact to contact)	0.8 mm (Contact to contact)	
Max. clearance distance (contact to housing)	0.8 mm (Contact to housing)	

Mechanical and environmental data

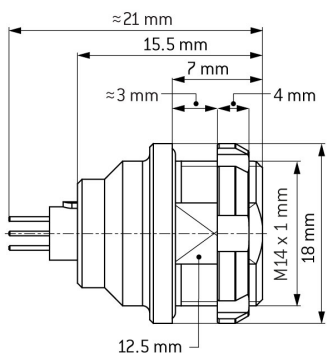
Locking principle	break_away , push_pull
Mating cycles	5000
IP class	IP68
Max. operating temperature	120 °C
Min. operating temperature	-40 °C
Tightening torque	3 Nm

ip_protection_class_refers_to_mated_condition

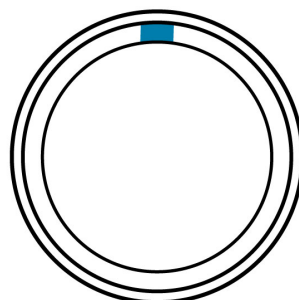
Material and surface treatments

Material	cu_alloy_with_matt_chrome_finish
Insulator material	peek
Contact material	cu_alloy_with_gold_finish

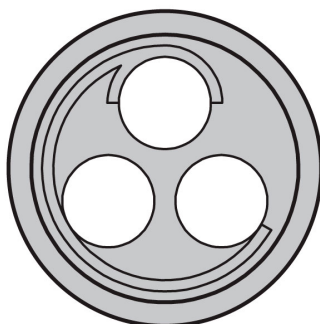
DIMENSIONS



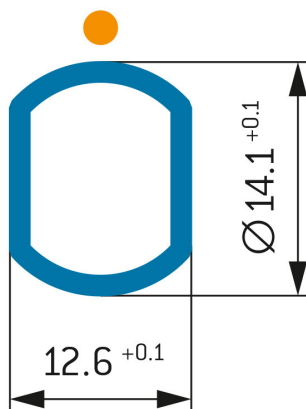
CODING: 0°



POSITIONS: 3 Positions



PANEL CUT OUT:



Further technical information and downloads

[3D-File \(STP File\)](#)

[Technical specifications](#)