

## receptacle\_with\_break\_away\_and\_push\_pull\_locking\_for\_front\_panel\_mounting

size: 3, IP50, keying: 0, number\_of\_contacts: 7, crimp, contact\_type: sockets, Signal



### Basic information

|                    |                      |
|--------------------|----------------------|
| Part number        | G13LOC-P07NSNO-0000  |
| Category           | connector            |
| Type of connector  | receptacle           |
| Assembly situation | front_panel_mounting |
| Size               | 3                    |

### Contact insert description

|                        |             |
|------------------------|-------------|
| Transmission type      | Signal      |
| Number of contacts     | 7           |
| Contact type           | sockets     |
| Contact diameter       | 1.6 mm      |
| Termination type       | crimp       |
| Termination diameter   | 1.9 mm      |
| Wire cross section AWG | AWG 14 – 18 |

### Crimp contacts

Please refer to the installed contacts for the correct crimp settings and the tools to be used.

[175.562.000.207.000](https://www.odu.com/175.562.000.207.000)

### Technical information

|  |                             |  |
|--|-----------------------------|--|
| Max. current single contact                  | 21 A                        | IEC 60512-5-2:2002 (DIN EN 60512-5-2:2003) |
| Max. current insert                          | 13.65                       | VDE 0298-4:2003                            |
| Test voltage                                 | 1.35 kV AC                  | SAE AS 13441:1998 method 3001.1            |
| Max. creepage distance (contact to contact)  | 1.1 mm (Contact to housing) |  |
| Max. creepage distance (contact to housing)  | 1.2 mm (Contact to housing) |  |
| Max. clearance distance (contact to contact) | 1.1 mm (Contact to contact) |  |
| Max. clearance distance (contact to housing) | 1.2 mm (Contact to housing) |  |

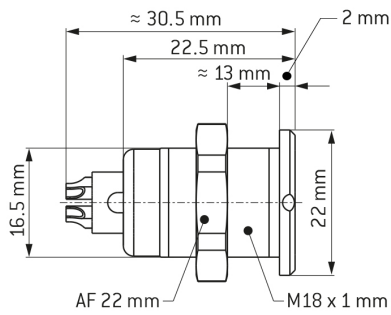
## Mechanical and environmental data

|                            |                        |
|----------------------------|------------------------|
| Locking principle          | break_away , push_pull |
| Mating cycles              | 5.000                  |
| IP class                   | IP50                   |
| Max. operating temperature | 120 °C                 |
| Min. operating temperature | -40 °C                 |
| Tightening torque          | 6 Nm                   |
| Weight                     | 21.1 g                 |

## Material and surface treatments

|                  |                                  |
|------------------|----------------------------------|
| Material         | cu_alloy_with_matt_chrome_finish |
| Contact material | gold                             |

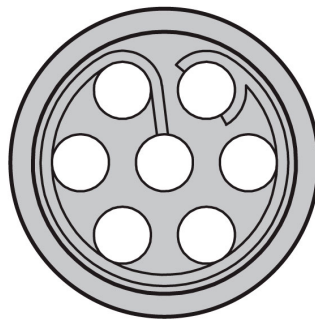
**DIMENSIONS:**



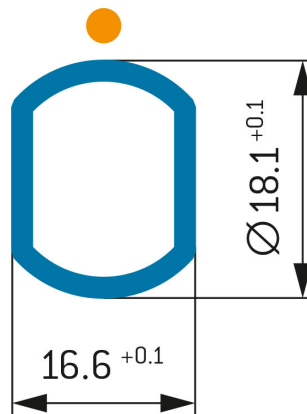
**CODING: 0°**



**POSITIONS: 7 Positions**



**PANEL CUT OUT:**



## Further technical information and downloads

[3D-File \(STP File\)](#)

[Technical specifications](#)