

## receptacle\_with\_break\_away\_and\_push\_pull\_locking\_for\_front\_panel\_mounting

size: 2, IP50, keying: a, number\_of\_contacts: 10, solder\_cup, contact\_type: sockets, Signal



### Basic information

|                    |                      |
|--------------------|----------------------|
| Part number        | G12LAC-P10LJG0-0000  |
| Category           | connector            |
| Type of connector  | receptacle           |
| Assembly situation | front_panel_mounting |
| Size               | 2                    |

### Contact insert description

|                        |            |
|------------------------|------------|
| Transmission type      | Signal     |
| Number of contacts     | 10         |
| Contact type           | sockets    |
| Contact diameter       | 0.9 mm     |
| Termination type       | solder_cup |
| Termination diameter   | 0.85 mm    |
| Wire cross section AWG | AWG 22     |

### Technical information

|  |                             |  |
|--|-----------------------------|--|
| Max. current single contact                  | 7.5 A                       | IEC 60512-5-2:2002 (DIN EN 60512-5-2:2003) |
| Max. current insert                          | 4.125                       | VDE 0298-4:2003                            |
| Test voltage                                 | 1.5 kV AC                   | SAE AS 13441:1998 method 3001.1            |
| Max. creepage distance (contact to contact)  | 1 mm (Contact to housing)   |  |
| Max. creepage distance (contact to housing)  | 1.2 mm (Contact to housing) |  |
| Max. clearance distance (contact to contact) | 1.0 mm (Contact to contact) |  |
| Max. clearance distance (contact to housing) | 1.2 mm (Contact to housing) |  |

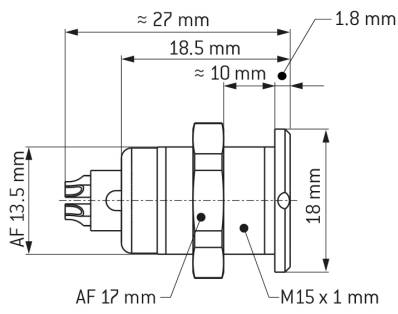
## Mechanical and environmental data

|                            |                        |
|----------------------------|------------------------|
| Locking principle          | break_away , push_pull |
| Keying                     | coding_30°             |
| Mating cycles              | 5.000                  |
| IP class                   | IP50                   |
| Max. operating temperature | 120 °C                 |
| Min. operating temperature | -40 °C                 |
| Tightening torque          | 4 Nm                   |
| Weight                     | 14.56 g                |

## Material and surface treatments

|                  |                                  |
|------------------|----------------------------------|
| Material         | cu_alloy_with_matt_chrome_finish |
| Contact material | gold                             |

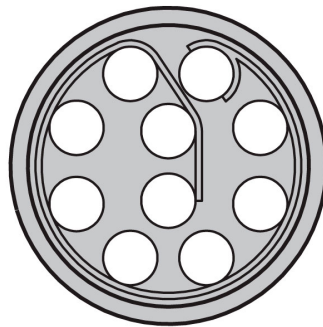
**DIMENSIONS:**



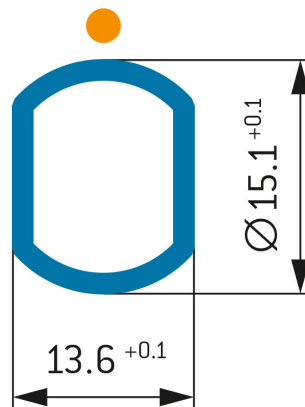
**CODING: 30°**



**POSITIONS: 10 Positions**



**PANEL CUT OUT:**



## Further technical information and downloads

[3D-File \(STP File\)](#)

[Technical specifications](#)