

receptacle_with_break_away_and_push_pull_locking_for_front_panel_mounting

size: 2, IP50, keying: a, number_of_contacts: 7, crimp, contact_type: sockets, Signal



Basic information

| | |
|--------------------|----------------------|
| Part number | G12LAC-P07NPL0-0000 |
| Category | connector |
| Type of connector | receptacle |
| Assembly situation | front_panel_mounting |
| Size | 2 |

Contact insert description

| | |
|------------------------|-------------|
| Transmission type | Signal |
| Number of contacts | 7 |
| Contact type | sockets |
| Contact diameter | 1.3 mm |
| Termination type | crimp |
| Wire cross section AWG | AWG 18 – 20 |

Crimp contacts

Please refer to the installed contacts for the correct crimp settings and the tools to be used.

[175.509.000.207.000](tel:175.509.000.207.000)

Technical information

| | | |
|--|-----------------------------|--|
| Max. current single contact | 15 A | IEC 60512-5-2:2002 (DIN EN 60512-5-2:2003) |
| Max. current insert | 9.75 | VDE 0298-4:2003 |
| Test voltage | 1.1 kV AC | SAE AS 13441:1998 method 3001.1 |
| Max. creepage distance (contact to contact) | 0.9 mm (Contact to housing) | |
| Max. creepage distance (contact to housing) | 1.0 mm (Contact to housing) | |
| Max. clearance distance (contact to contact) | 0.9 mm (Contact to contact) | |
| Max. clearance distance (contact to housing) | 1.0 mm (Contact to housing) | |

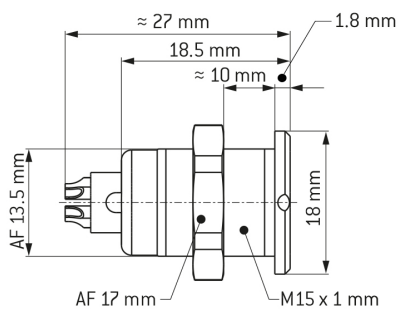
Mechanical and environmental data

| | |
|----------------------------|------------------------|
| Locking principle | break_away , push_pull |
| Keying | a |
| Mating cycles | 5000 |
| IP class | IP50 |
| Max. operating temperature | 120 °C |
| Min. operating temperature | -40 °C |
| Tightening torque | 4 Nm |

Material and surface treatments

| | |
|--------------------|----------------------------------|
| Material | cu_alloy_with_matt_chrome_finish |
| Insulator material | peek |
| Contact material | cu_alloy_with_gold_finish |

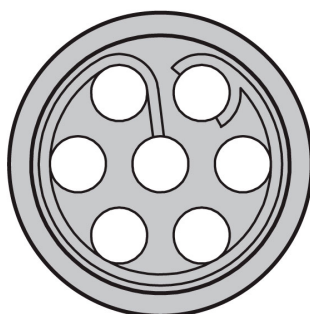
DIMENSIONS:



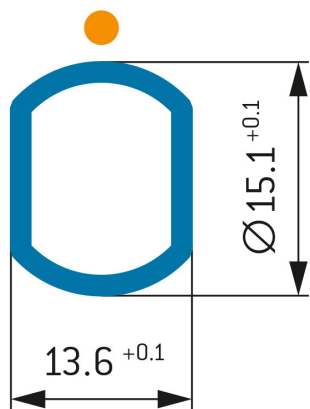
CODING: 30°



POSITIONS: 7 Positions



PANEL CUT OUT:



Further technical information and downloads

[3D-File \(STP File\)](#)

[Technical specifications](#)