

## receptacle\_with\_break\_away\_and\_push\_pull\_locking\_for\_front\_panel\_mounting

size: 2, IP50, keying: a, number\_of\_contacts: 4, solder\_cup, contact\_type: sockets, Ethernet/IP® [100 Mbit/s]



### Basic information

Part number	G12LAC-P04LPH0-0000
Category	connector
Type of connector	receptacle
Assembly situation	front_panel_mounting
Size	2

### Contact insert description

Special features	data_transmission
Transmission type	Ethernet/IP® [100 Mbit/s]
Number of contacts	4
Contact type	sockets
Contact diameter	1.3 mm
Termination type	solder_cup
Termination diameter	1.1 mm
Wire cross section AWG	AWG 20

### Technical information

Max. current single contact	12 A	IEC 60512-5-2:2002 [DIN EN 60512-5-2:2003]
Max. current insert	12	VDE 0298-4:2003
Test voltage	1.95 kV AC	SAE AS 13441:1998 method 3001.1
Max. creepage distance (contact to contact)	1.8 mm [Contact to housing]	
Max. creepage distance (contact to housing)	1.6 mm [Contact to housing]	
Max. clearance distance (contact to contact)	1.8 mm [Contact to contact]	
Max. clearance distance (contact to housing)	1.6 mm [Contact to housing]	

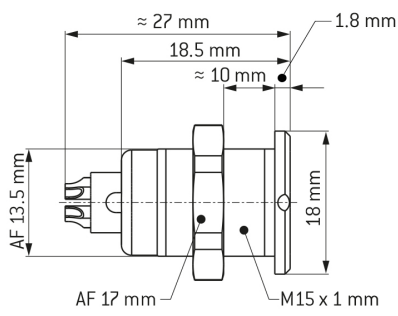
## Mechanical and environmental data

Locking principle	break_away , push_pull
Keying	coding_30°
Mating cycles	5.000
IP class	IP50
Max. operating temperature	120 °C
Min. operating temperature	-40 °C
Tightening torque	4 Nm
Weight	13.72 g

## Material and surface treatments

Material	cu_alloy_with_matt_chrome_finish
Contact material	gold

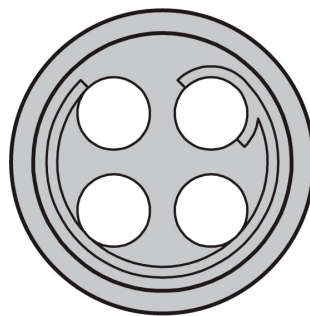
**DIMENSIONS:**



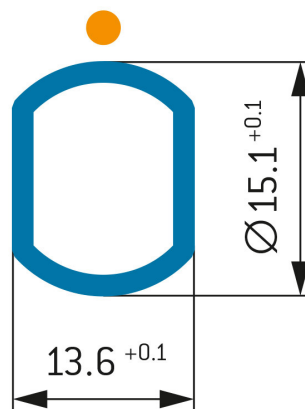
**CODING: 30°**



**POSITIONS: 4 Positions**



**PANEL CUT OUT:**



## Further technical information and downloads

Connection diagram

connection\_diagram\_4\_pin\_ethernet\_100Mbps\_rj45

[3D-File \(STP File\)](#)

[Technical specifications](#)