

receptacle_with_break_away_and_push_pull_locking_for_front_panel_mounting

size: 0, IP68, keying: 0, number_of_contacts: 4, crimp, contact_type: sockets, Ethernet/IP® [100 Mbit/s]|USB® 2.0 [480 Mbit/s]



Basic information

Part number	G10K0C-P04NFG0-0000
Category	connector
Type of connector	receptacle
Assembly situation	front_panel_mounting

Contact insert description

Special features	data_transmission
Transmission type	Ethernet/IP® [100 Mbit/s] , USB® 2.0 [480 Mbit/s]
Number of contacts	4
Contact type	sockets
Contact diameter	0.7 mm
Termination type	crimp
Termination diameter	0.85 mm
Wire cross section AWG	AWG 22 – 26

Crimp contacts

Please refer to the installed contacts for the correct crimp settings and the tools to be used.

[175.469.000.207.000](https://www.odu.com/175.469.000.207.000)

Technical information

Max. current single contact	7.5 A	IEC 60512-5-2:2002 (DIN EN 60512-5-2:2003)
Max. current insert	7.5	VDE 0298-4:2003
Test voltage	0.9 kV AC	SAE AS 13441:1998 method 3001.1
Max. creepage distance (contact to contact)	0.6 mm (Contact to housing)	
Max. creepage distance (contact to housing)	0.6 mm (Contact to housing)	
Max. clearance distance (contact to contact)	0.6 mm (Contact to contact)	
Max. clearance distance (contact to housing)	0.6 mm (Contact to housing)	

Mechanical and environmental data

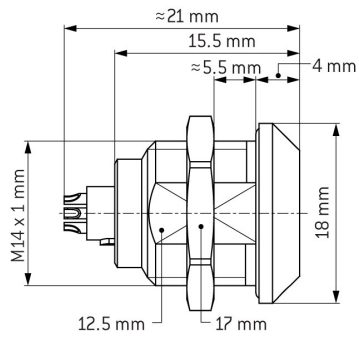
Locking principle	break_away , push_pull
Mating cycles	5.000
IP class	IP68
Max. operating temperature	120 °C
Min. operating temperature	-40 °C
Tightening torque	3 Nm
Weight	13.01 g

ip_protection_class_refers_to_mated_condition

Material and surface treatments

Material	cu_alloy_with_chrome_finish
Contact material	gold

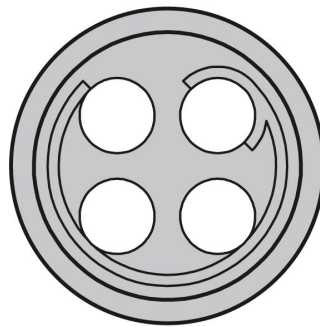
DIMENSIONS



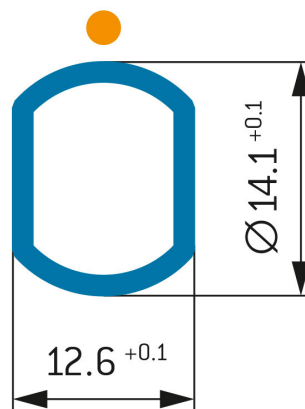
CODING: 0°



POSITIONS: 4 Positions



PANEL CUT OUT:



Further technical information and downloads

[Connection diagram](#) connection_diagram_4_pin_ethernet_100Mbits_rj45|connection_diagram_04_pin_usb_2_0_typ_a

[3D-File \(STP File\)](#)

[Technical specifications](#)