

Straight screw-lock plug for bend relief

Size 0, IP6K8 / IP6K9K, Coding D (green), 12 contacts, Pins, Solder cup, Data transmission



Basic information

Part number	C10WDM-PD1XMM0-0000
Category	Connector
Type of connector	Plug
Assembly situation	Straight

Contact insert description

Special features	Data transmission
Transmission type	USB® 3.2 Gen 1x1 (5 Gbit/s)
Number of contacts	12
Contact type	Pins
Contact diameter	0.3 mm; 0.7 mm
Termination type	Solder cup
Wire cross section AWG	AWG 28; AWG 22

Reverse gender on request

Technical information

Nominal current single contact	1 A	IEC 60512-5-2:2002 (DIN EN 60512-5-2:2003)
Test voltage	0.75 kV DC	EIA-364-20F:2019-02

All shown connectors are rated to a safety extra low voltage (SELV) of less than 50 V AC / 75 V DC, according to IEC 61140:2016 (VDE 0140-1:2016) Protection against electric shock - Common aspects for installation and equipment. In case other standards rule a specific use of the connector, the application specific safety criteria shall be considered first. In this context, lower voltage ratings may be valid. Warning: Danger to life for operating voltages above 50 V AC / 120 V DC!

Cable description

Cable outlet	Overmolding
Min. cable diameter	3.2
Max. cable diameter	7

Mechanical and environmental data

Locking principle	Screw-Lock
Keying	D
Mating cycles	5.000
IP class	IP68 / IP6K9K
Max. operating temperature	125 °C
Min. operating temperature	-51 °C
Weight	10.04 g

*IP protection class refers to mated condition

Material and surface treatments

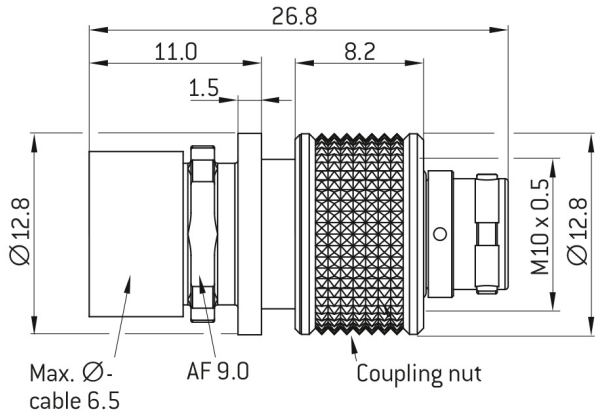
Material	Cu-alloy (blank)
Insulator material	PEEK
Contact material	Cu-alloy with gold finish

ODU reserves the right to make changes based on the current state of knowledge without prior notice without being obliged to provide replacement deliveries or refinements of older designs.

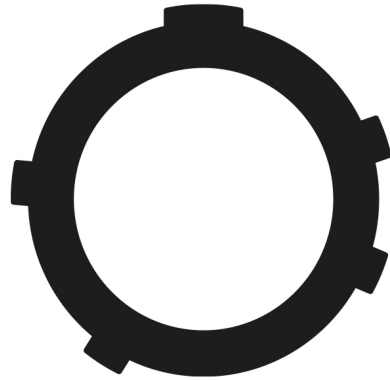
All shown connectors are defined without breaking capacity (COC) according to IEC 61984:2008 (VDE 0627:2009).

Graphics and technical drawings

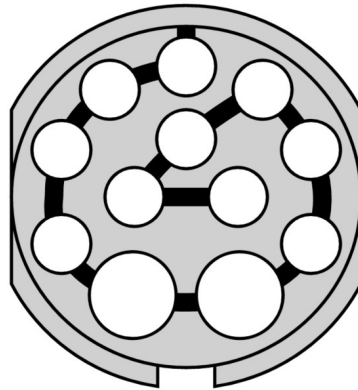
DIMENSIONS:



CODING:D



12 Positions



Further technical information and downloads

Pos. ODU ¹ [Crossover]	Signal	Color	Note	Signal	Pos. USB ¹ [Male]
6	VBUS	Red	-	VBUS	1
11	D-	White	Twisted pair unshielded	D-	2
12	D+	Green		D+	3
5	GND	Black	-	GND	4
8	SSTX-	Blue	Twisted pair shielded	SSRX-	5
7	SSTX+	Yellow		SSRX+	6
9, 10	Shield TX	Drain Wire	Twisted pair shielded	Shield RX	?
1, 2	Shield RX	Drain Wire		Shield TX	
3	SSRX-	Orange	Twisted pair shielded	SSTX-	8
4	SSRX+	Violet		SSTX+	9
Housing			Outer shield		Housing

[3D-File \[STP File\]](#)

[Assembly Instruction](#)

[Technical specifications](#)