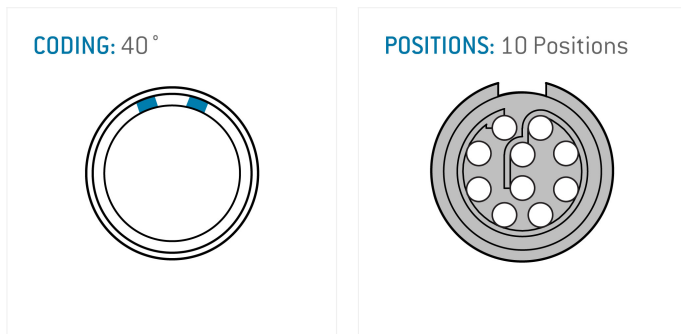


General information

Part number	A51MA7-010BCC0-0000
Termination	solder
Size	1
Locking principle	break
Coding	a_key_medi
Cable outlet	overmolding



Illustrations may differ from original product.
Dimensions, unless otherwise specified, in mm.



The pin layout corresponds to the view on the termination area

Contact insert description

Number of contacts	10
Contact type	pins
Contact diameter	05mm
Insulator material	psu_gray
Wire cross section	28_awg
Termination	solder
Termination diameter	045mm

reverse_gender_on_request

Technical information

Max. creepage and air clearance distance	05_mm	iec_60601_2mopp_2moop
Nominal current single contact	04_a	iec_60512_5_2
Nominal current insert	2,2 A	vde_0298_4
Test voltage	06_kv_ac	eia_364_20f

safety_text
iec_60601_plug

Mechanical and environmental data

Degree of protection*	ip67
Operating temperature	50_120_c
Mating cycles	5000

mated

Material and surface treatments

Housing	psu_gray
Contact	cu_alloy_gold

safety_text_2
ul_text
illustrative_text