

straight_break_away_plug_for_bend_relief

size_00_ip6k8_ip6k9k_coding_d_green_4_contacts_pins_solder_cup_data_transmission_usb®_2.0_480_mbits



Basic information

Part number	A1CWDM-PU4XBM0-0000
Category	connector
Type of connector	plug
Assembly situation	straight
Size	00

Contact insert description

Special features	data_transmission
Transmission type	USB® 2.0 (480 Mbit/s)
Number of contacts	4
Contact type	pins
Contact diameter	0.3 mm
Termination type	solder_cup
Wire cross section AWG	AWG 28; AWG 24

Technical information

Max. current single contact	1 A; 3 A	IEC 60512-5-2:2002 (DIN EN 60512-5-2:2003)
Test voltage	0.75 kV DC	EIA-364-20F:2019-02

Cable description

Cable outlet	overmolding
Min. cable diameter	3.2
Max. cable diameter	5

Mechanical and environmental data

Locking principle	break_away
Keying	d
Mating cycles	5000
IP class	IP68 / IP6K9K
Max. operating temperature	125 °C
Min. operating temperature	-51 °C
Weight	3.34 g

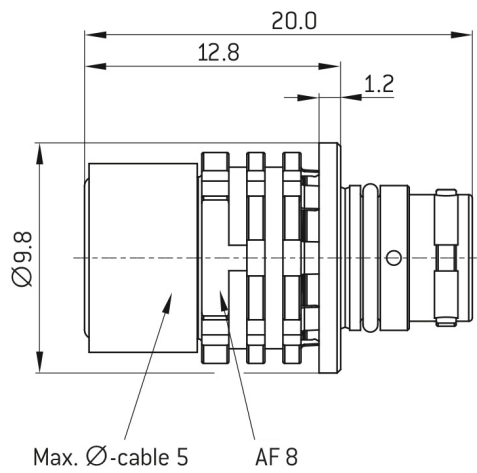
ip_protection_class_refers_to_mated_condition

Material and surface treatments

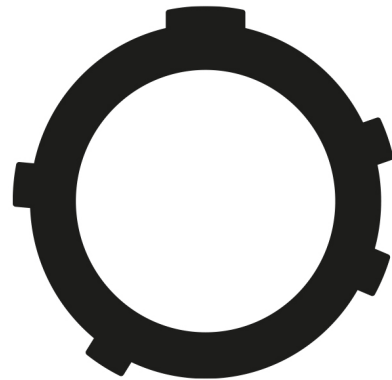
Material	cu_alloy_with_ruthenium_finish
Insulator material	peek
Contact material	gold

Graphics and technical drawings

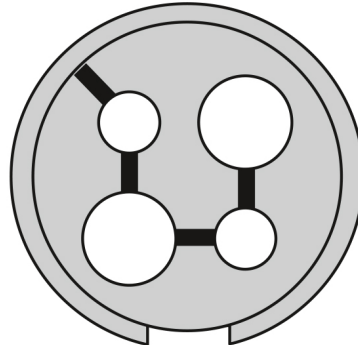
DIMENSIONS:



CODING:D



POSITIONS: 4 positions



Further technical information and downloads

Connection diagram

connection_diagram_04_pin_usb_2_0_typ_a_amc_hd_bg_00

[3D-File \(STP File\)](#)

[Assembly Instruction](#)

[Technical specifications](#)