

straight_break_away_plug_for_bend_relief

size: 0, IP68 / IP6K9K, keying: b, number_of_contacts: 16, solder_cup, contact_type: pins, Ethernet/IP® (1 Gbit/s)



Basic information

Part number	A10WBM-P16XBC0-0000
Category	connector
Type of connector	plug
Assembly situation	straight

Contact insert description

Special features	data_transmission
Transmission type	Ethernet/IP® (1 Gbit/s)
Number of contacts	16
Contact type	pins
Contact diameter	0.3 mm
Termination type	solder_cup
Wire cross section AWG	AWG 28

Technical information

Nominal current single contact	1 A	IEC 60512-5-2:2002 (DIN EN 60512-5-2:2003)
Max. current insert	0.5 A	VDE 0298-4:2013
Test voltage	0.75 kV DC	EIA-364-20F:2019-02

Cable description

Cable outlet	overmolding
Min. cable diameter	3.2
Max. cable diameter	7

Mechanical and environmental data

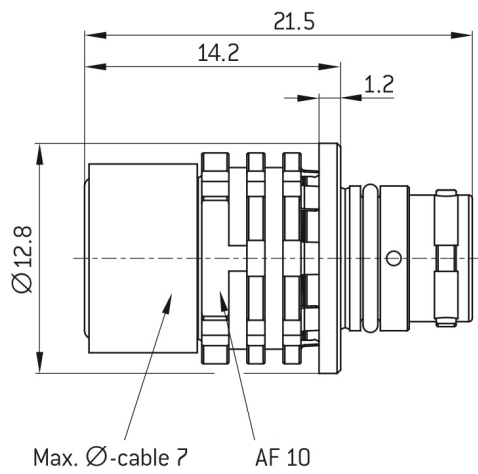
Locking principle	break_away
Keying	b
Mating cycles	5000
IP class	IP68 / IP6K9K
Max. operating temperature	125 °C
Min. operating temperature	-51 °C
Weight	6.57 g

ip_protection_class_refers_to_mated_condition

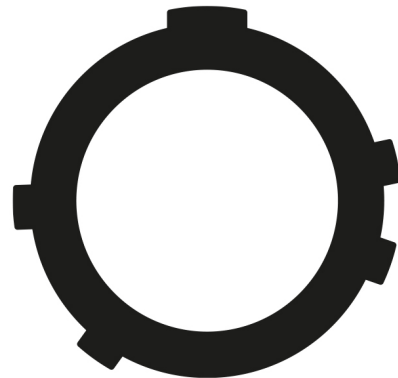
Material and surface treatments

Material	cu_alloy_with_ruthenium_finish
Insulator material	peek
Contact material	cu_alloy_with_gold_finish

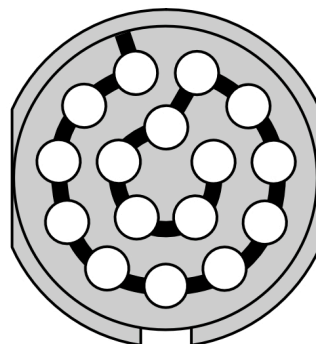
DIMENSIONS:



CODING: B



POSITIONS



Further technical information and downloads

[3D-File \[STP File\]](#)

[Assembly Instruction](#)

[Technical specifications](#)