

## straight\_break\_away\_plug\_for\_bend\_relief

size\_0\_ip6k8\_ip6k9k\_coding\_b\_red\_12\_contacts\_pins\_solder\_cup\_data\_transmission\_usb®\_3.2\_gen\_1x1\_5\_gbits



### Basic information

Part number	A10WBM-P12XMM0-0000
Category	connector
Type of connector	plug
Assembly situation	straight

### Contact insert description

Special features	data_transmission
Transmission type	USB® 3.2 Gen 1x1 (5 Gbit/s)
Number of contacts	12
Contact type	pins
Contact diameter	0.7 mm
Termination type	solder_cup
Termination diameter	0.85 mm
Wire cross section AWG	AWG 28; AWG 22

### Technical information

Nominal current single contact	1 A	IEC 60512-5-2:2002 (DIN EN 60512-5-2:2003)
Test voltage	0.75 kV DC	EIA-364-20F:2019-02

### Cable description

Cable outlet	overmolding
Min. cable diameter	3.2
Max. cable diameter	7

## Mechanical and environmental data

Locking principle	break_away
Keying	b
Mating cycles	5.000
IP class	IP68 / IP6K9K
Max. operating temperature	125 °C
Min. operating temperature	-51 °C
Weight	6 g

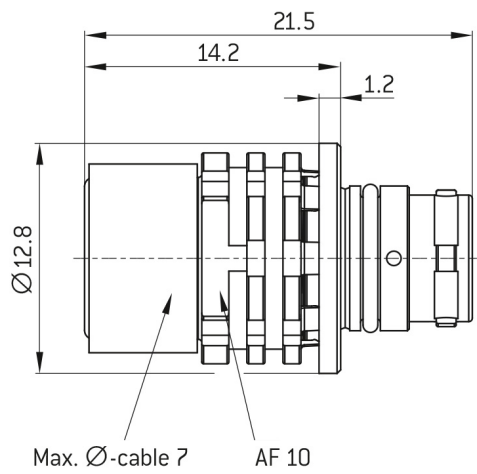
ip\_protection\_class\_refers\_to\_mated\_condition

## Material and surface treatments

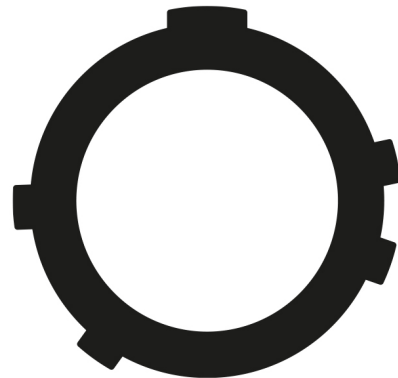
Material	cu_alloy_with_ruthenium_finish
Contact material	cu_alloy_with_gold_finish

## Graphics and technical drawings

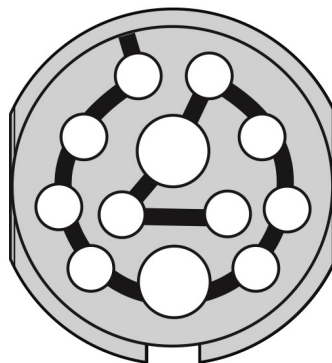
### DIMENSIONS:



### CODING: B



### POSITIONS: 12 positions



## Further technical information and downloads

Connection diagram

[connection\\_diagram\\_12\\_pin\\_usb\\_3\\_2\\_gen1x1\\_pin\\_typ\\_a](#)

[3D-File \(STP File\)](#)

[Assembly Instruction](#)

[Technical specifications](#)