

straight_break_away_plug_for_bend_relief

size_0_ip6k8_ip6k9k_coding_b_red_7_contacts_pins_solder_cup_signal_transmission



Basic information

Part number	A10WBM-P07XFG0-0000
Category	connector
Type of connector	plug
Assembly situation	straight

Contact insert description

Transmission type	Signal
Number of contacts	7
Contact type	pins
Contact diameter	0.7 mm
Termination type	solder_cup
Wire cross section AWG	AWG 22

Technical information

Max. current single contact	5 A	IEC 60512-5-2:2002 (DIN EN 60512-5-2:2003)
Max. current insert	3.25 A	VDE 0298-4:2013
Test voltage	0.75 kV DC	EIA-364-20F:2019-02

Cable description

Cable outlet	overmolding
Min. cable diameter	3.2
Max. cable diameter	7

Mechanical and environmental data

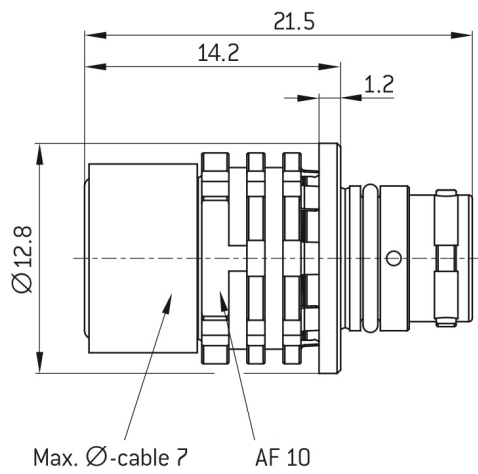
Locking principle	break_away
Keying	b
Mating cycles	5.000
IP class	IP68 / IP6K9K
Max. operating temperature	125 °C
Min. operating temperature	-51 °C
Weight	6.42 g

ip_protection_class_refers_to_mated_condition

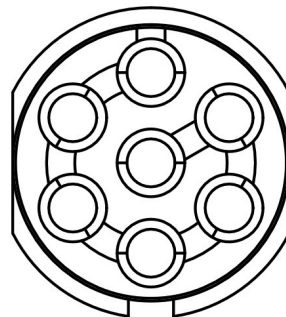
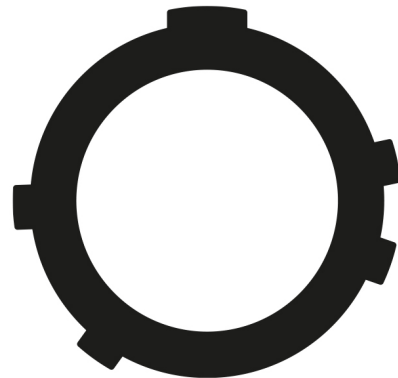
Material and surface treatments

Material	cu_alloy_(blank)
Contact material	gold

DIMENSIONS:



CODING: B



Further technical information and downloads

[3D-File \[STP File\]](#)

[Assembly Instruction](#)

[Technical specifications](#)