

straight_break_away_plug_for_bend_relief

size_0_ip6k8_ip6k9k_coding_a_light_brown_9_contacts_pins_solder_cup_data_transmission_and_high_power_usb®_2.0_480_mbits+_power



Basic information

Part number	A10WAM-P09XMM0-0000
Category	connector
Type of connector	plug
Assembly situation	straight

Contact insert description

Special features	data_transmission , hybrid_mixed_transmission
Transmission type	USB® 2.0 (480 Mbit/s) + Power
Number of contacts	9
Contact type	pins
Contact diameter	0.3 mm; 0.7 mm
Termination type	solder_cup
Wire cross section AWG	AWG 28; AWG 22

Technical information

Nominal current single contact	1 A; 5 A	IEC 60512-5-2:2002 (DIN EN 60512-5-2:2003)
Test voltage	0.75 kV DC	EIA-364-20F:2019-02

Cable description

Cable outlet	overmolding
Min. cable diameter	3.2
Max. cable diameter	7

Mechanical and environmental data

Locking principle	break_away
Keying	a
Mating cycles	5000
IP class	IP68 / IP6K9K
Max. operating temperature	125 °C
Min. operating temperature	-51 °C
Weight	6.53 g

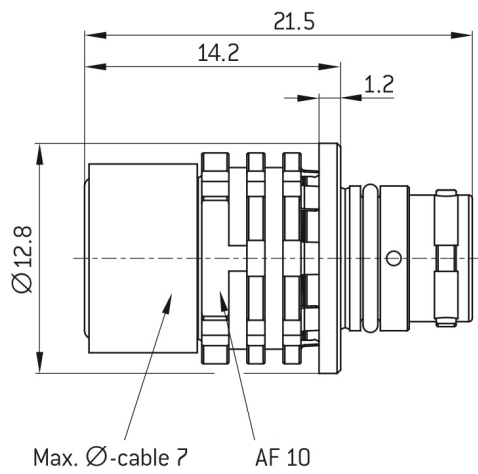
ip_protection_class_refers_to_mated_condition

Material and surface treatments

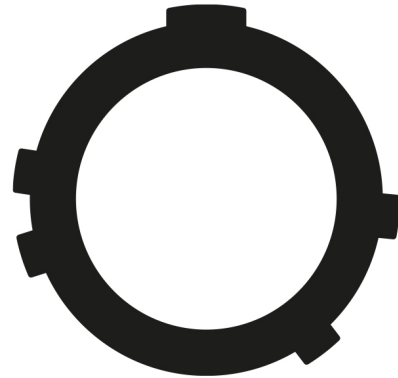
Material	ruthenium
Contact material	cu_alloy_with_gold_finish

Graphics and technical drawings

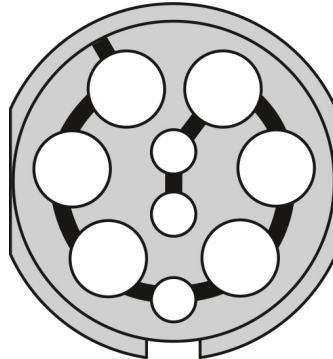
DIMENSIONS:



CODING:A



POSITIONS: 9 positions



f_graphics_pin_layout_sockets

Further technical information and downloads

Connection diagram

con_usb_2_power

[3D-File \(STP File\)](#)

[Assembly Instruction](#)

[Technical specifications](#)