

656.564.004.000.000

ODU-MAC® Blue-Line

PUSH-LOCK hood medical - plug without contacts

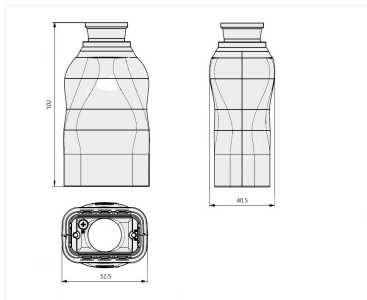


General information

Part number	656.564.004.000.000
Size	
Weight	180,0 g
customs tariff numbers	85389099



Illustrations may differ from original product.
Dimensions, unless otherwise specified, in mm.



Mechanical and environmental data

Degree of protection*	IP67
Operating temperature	-40 °C – 125 °C
Mating cycles	5000

Material and surface treatments

Housing	Lexan PC
---------	----------

ODU reserves the right to make changes based on the current state of knowledge without prior notice without being obliged to provide replacement deliveries or refinements of older designs.