

## Socket frame, size 1



### Basic information

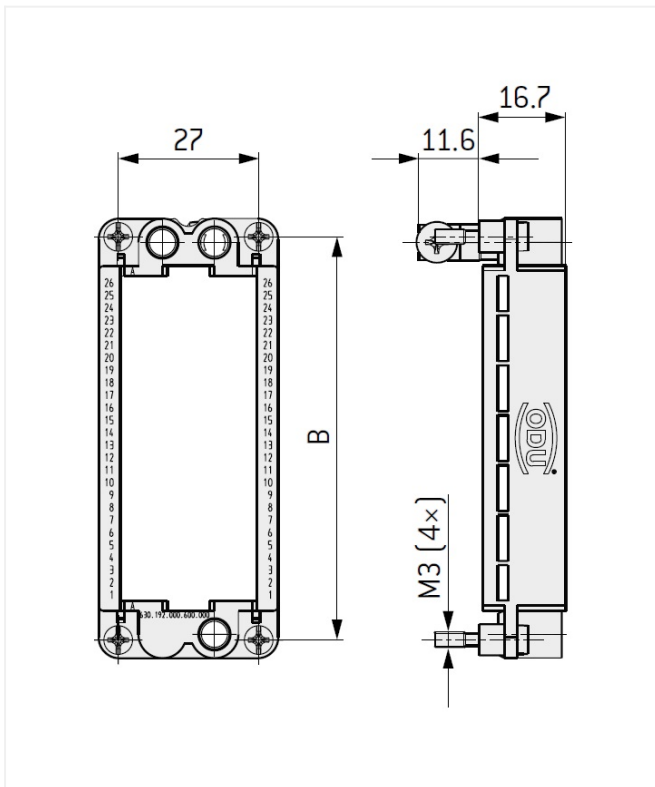
Part number	630.190.000.600.000
Category	Frame
Number of units	12
Size	1

### Material and surface treatments

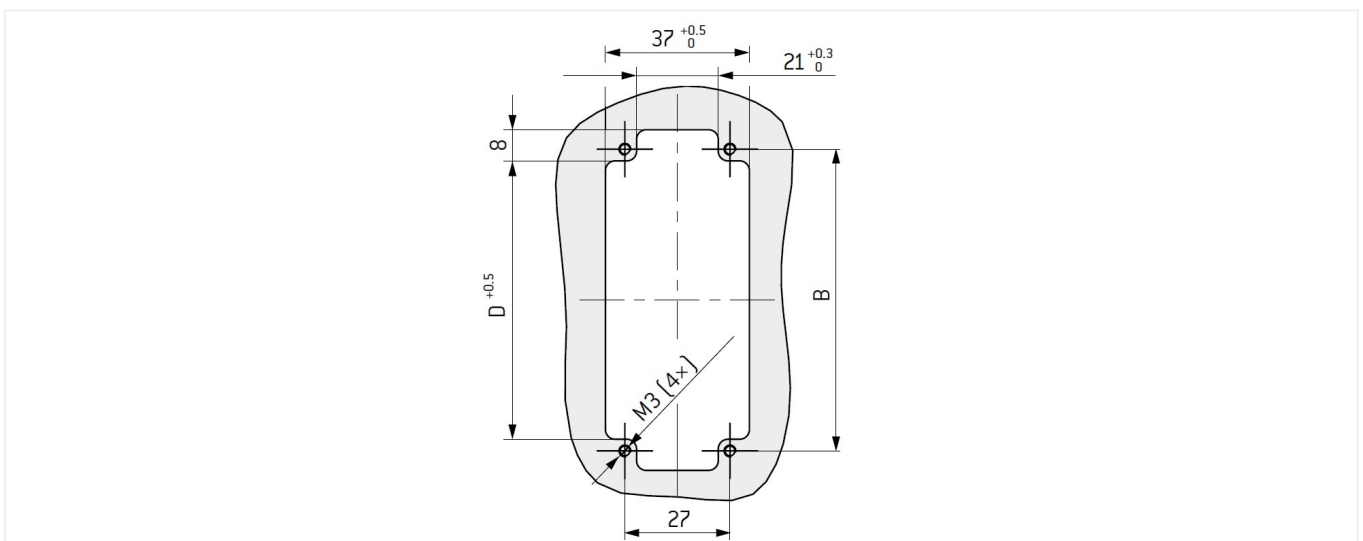
Material	Die casting
----------	-------------

ODU reserves the right to make changes based on the current state of knowledge without prior notice without being obliged to provide replacement deliveries or refinements of older designs.

## Graphics and technical drawings



Size	Max. units × 2.4 mm1	Dim. A mm	Dim. B mm	Dim. C mm	Dim. D mm
1	12	51	44	12 × 2.4 = 28.8	38
2	18	64	57	18 × 2.4 = 43.2	51
3	26	84.5	77.5	26 × 2.4 = 62.4	71.5
4	37	111	104	37 × 2.4 = 88.8	98



## Further technical information and downloads

[3D-File \[STP File\]](#)

[Assembly Instruction](#)